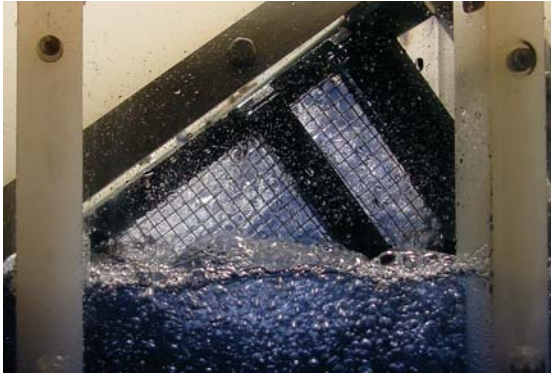




## Flex Cell 360 Top Loading Cabinet Washer



### Two Different Ways to Clean



#### Model FC-RB Rotating Basket

- Rotation & spray-under-immersion cleaning
- Powerful submerged spray and flushing action
- Purges and cleans even the deepest blind-holes
- Ideal for screw-machined and other small parts
- Available with ultrasonic cleaning option



#### Model FC-TT Rotating Turntable

- Flushes away all oils and chips as parts rotate
- Spray wash from all sides by high pressure nozzles
- Perfect for larger machined parts
- Safety interlocks

#### Both Available with Ultra Clean Filtration...

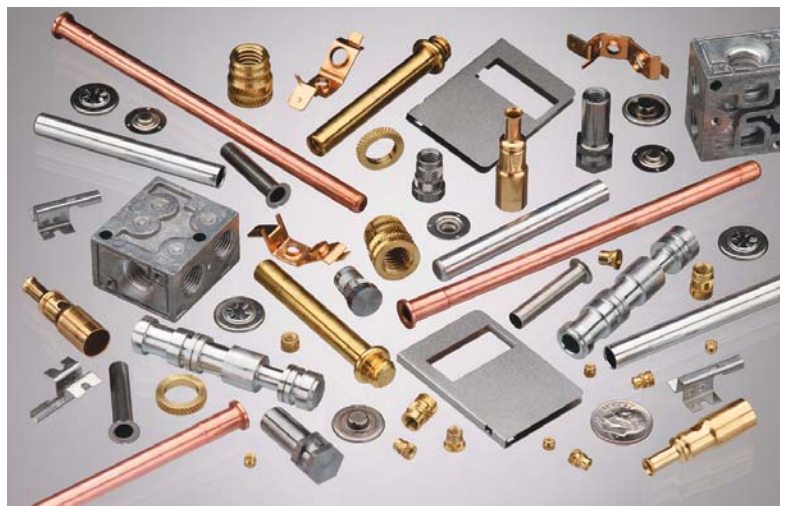
All aqueous detergent solution is continually recirculated, filtered and discharged back onto the parts for higher cleanliness

#### ... and High Pressure Filtered Air Blow Off

Regulated, filtered shop air blows off excess water, with optional Regen blowers and air heaters where necessary



*Versatile and Ergonomically  
Designed with a Small Footprint*



**860/828-6516**

**[www.jenfab.com](http://www.jenfab.com)**

**Jensen Fabricating Engineers, Inc.**

555 Wethersfield Rd., Berlin, CT 06037

Fax: (860) 828-0473

# JENFAB FLEX CELL 360

## Basket Rotates Around X Axis

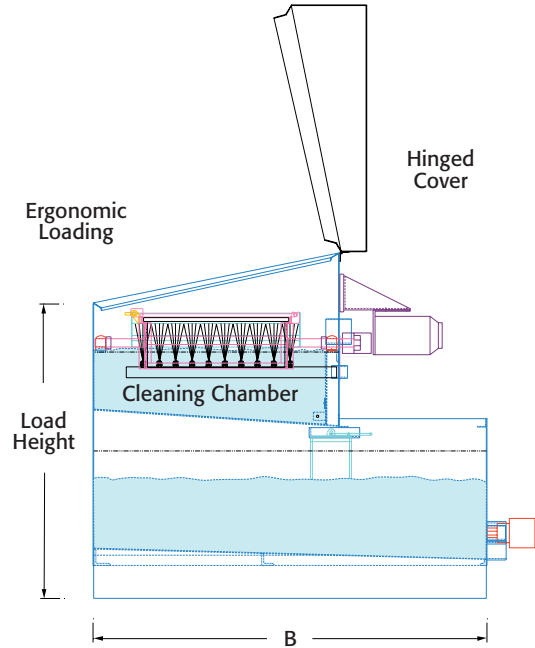
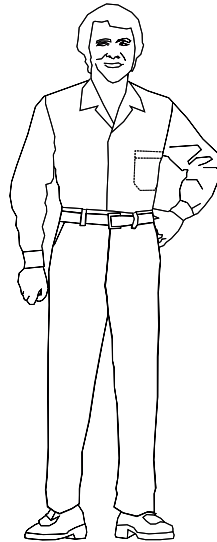
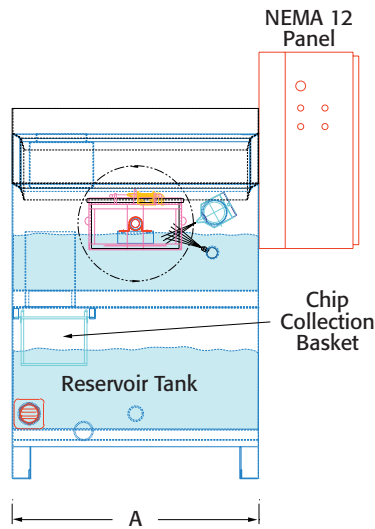
FC - RB 100  
FC - RB 150

## Parts Rotate Around Y Axis

FC - TT 100  
FC - TT 300

## OVERALL DIMENSIONS

Basket Size	A	B	Load Height	Gallons
12" x 9" x 6"	24	48	35	50
12" x 18" x 6"	30	48	35	75
Dia Turn Table				
18"	24	48	31	50
36"	44	60	31	100



## SPECIFICATIONS

- TT Model High Impingement Spray
- RB Model Immersion with Submerged Spray Jets
- Heavy Gage Stainless Steel Construction
- Stainless Steel Pumps
- 140° Stainless Steel Solution Heater
- Stainless Steel Spray Piping
- 480 Volts 3 Phase
- Lift Out Stainless Steel Chip Basket
- Solution Level Control
- NEMA 12 Control Panel
- Programmable Logic Control
- Interlocked Cover
- E-Stop Button
- 24 Volt Control System
- Use with: Aqueous and Semi-Aqueous Cleaners, or Machining Coolants

## OPTIONS

- Stainless Steel Filter
- Oil Skimmer
- Electronic Level Control
- Regenerative Blower
- Heater for Blow Off
- AB Micro Logix PLC with Panelview
- Ultrasonics
- Custom Voltages
- Automatic Cover

*Try Your Parts in Our  
Production Size Test Machines*



## Jensen Fabricating Engineers, Inc.

555 Wethersfield Rd., Berlin, CT 06037  
Phone: (860) 828-6516 Fax: (860) 828-0473  
www.jenfab.com